

Type SKB

SKB drawbridge dock levellers are designed for medium duty applications and to provide easy, flexible loading of lorries up to a height difference of 190 mm from dock height. It is available as a static version, or as a sliding version to run in a steel guide rail. Additional rails can be fitted to allow the leveller to serve more than one loading position. The SKB guide rail is designed with an open base which prevents the collection of dirt or debris and ensures smooth, easy sideways movement.

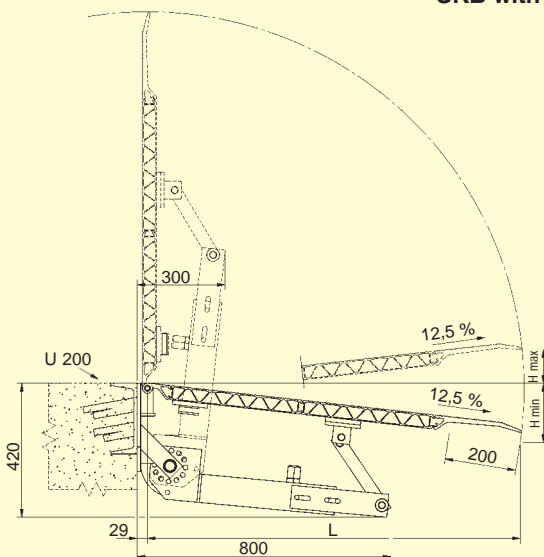


Safety device detail



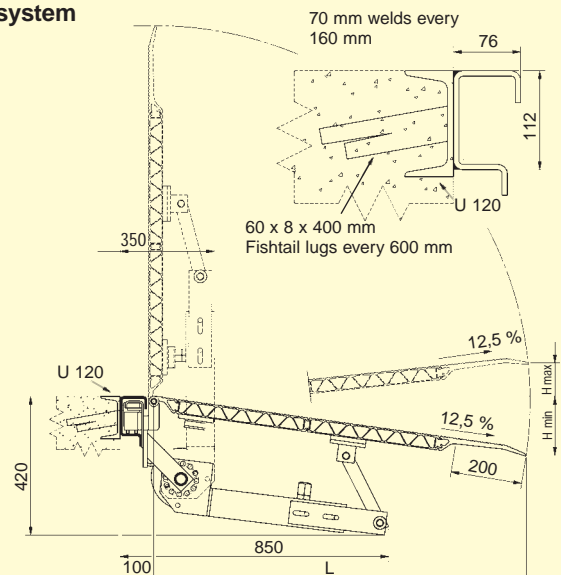
Detail of counter balancing mechanism.

SKB with spring system



Other dimensions on request

stationary



movable

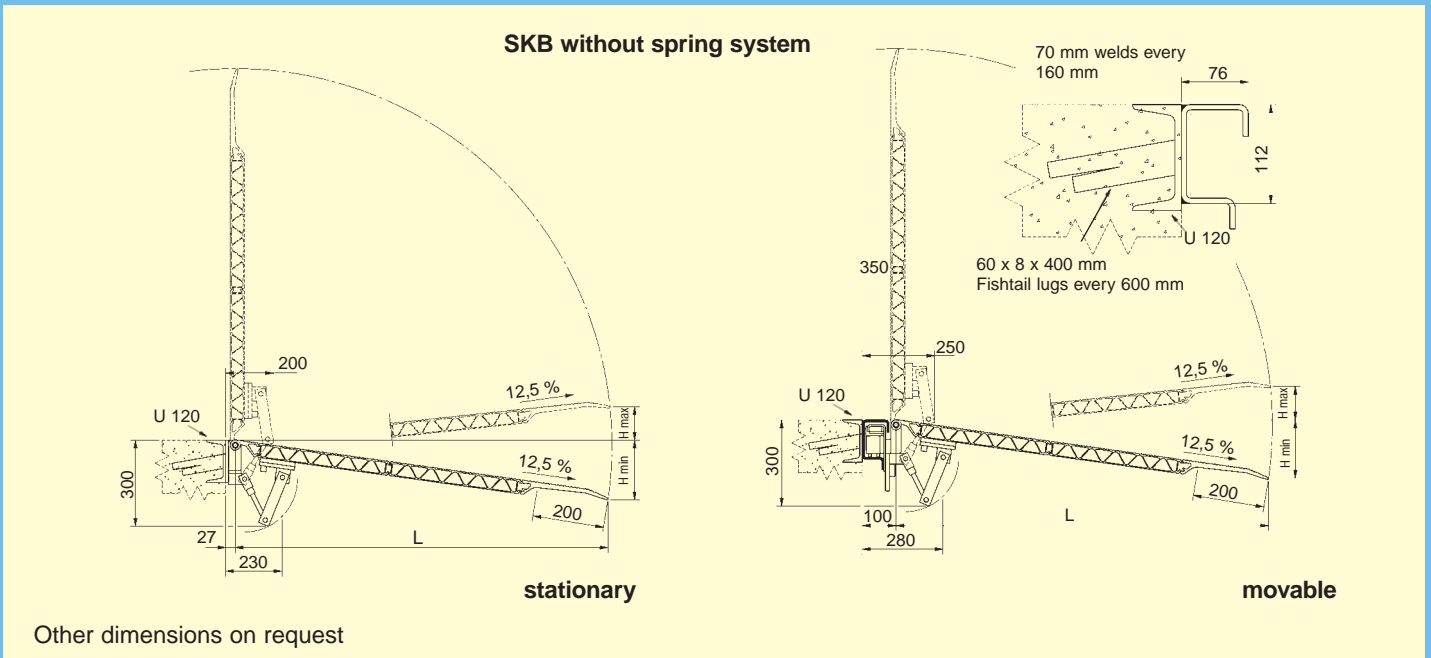


Type	Order code stationary	Type	Order code movable	Length L (mm)	Width (mm)	Height Difference (mm) min. max.	Capacity kgs	Weight stationary kgs	Weight movable kgs
------	-----------------------	------	--------------------	---------------	------------	----------------------------------	--------------	-----------------------	--------------------

***Model with spring system**

(kg/m)

Unpainted guide rail to be welded, 2000/3000 mm long
 Galvanised guide rail to be welded, 2000/3000 mm long
 Fixing plate galvanised (see page 32)

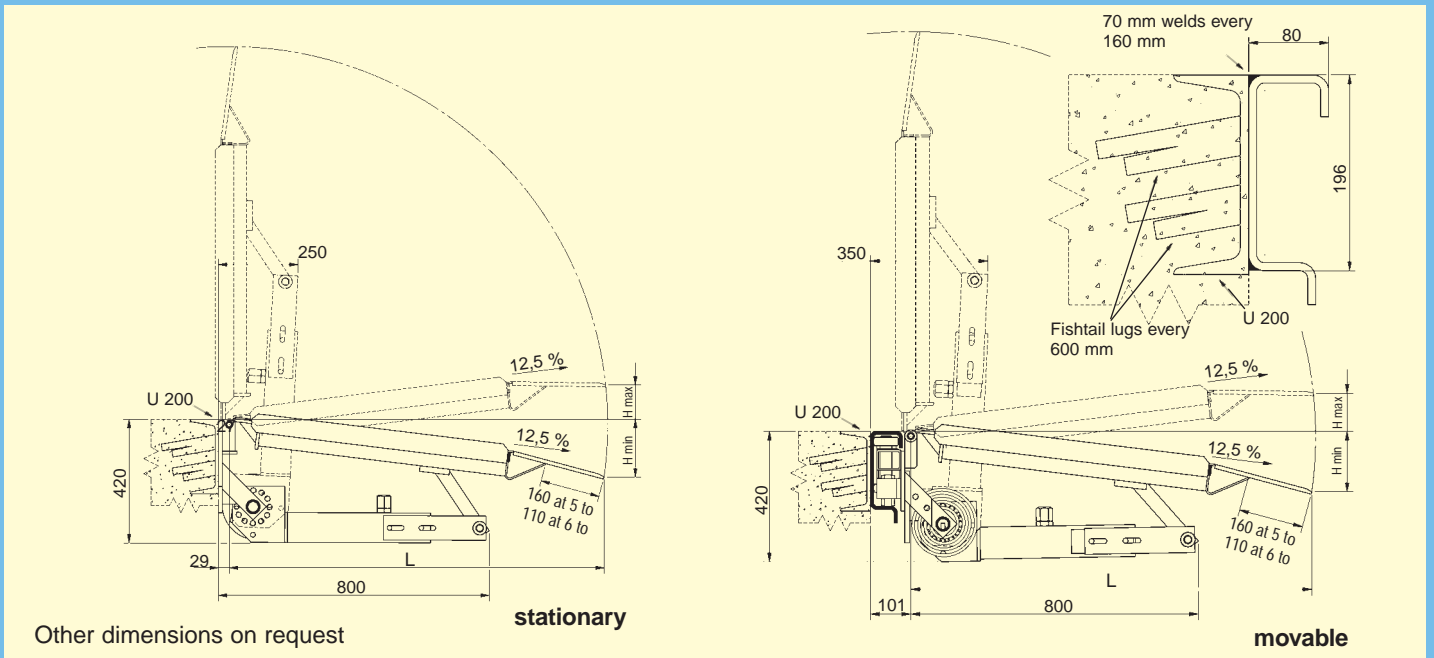


Type FBS Steel

The FBS drawbridge leveller covers most loading applications and can be used for height differences of up to 250 mm with a load capacity of 6000 kgs. The five bar tread plate surface gives a high quality antislip surface.

Finish is available in either galvanised or paint. Both options protect against corrosion. They are available in static or in sliding version.

The sliding model runs in a open base guide rail which prevents the collection of dirt and debris, ensuring smooth, easy sideways movement. Every leveller is fitted with underside springing to balance the weight of the platform.



Counter balanced dock leveller, made of steel, coloured RAL 5010 blue, capacity 5000 kgs

Type	Order code stationary	Type	Order code movable	Length L (mm)	Width (mm)	Height Difference (mm)		Capacity (kgs/ea)	Weight stationary (kgs/ea)	Weight movable (kgs/ea)
						min.	max.			
FBSS 01	302.20.000	FBSV 01	303.21.000	1250	1500	- 160	+ 110	5000	230	250
FBSS 04	302.20.001	FBSV 04	303.21.001	1500	1500	- 190	+ 140	5000	270	290
FBSS 05	302.20.002	FBSV 05	303.21.002	1500	1750	- 190	+ 140	5000	300	320
FBSS 06	302.20.003	FBSV 06	303.21.003	1500	2000	- 190	+ 140	5000	330	350
FBSS 07	302.20.004	FBSV 07	303.21.004	1750	1500	- 220	+ 175	5000	290	310
FBSS 08	302.20.005	FBSV 08	303.21.005	1750	1750	- 220	+ 175	5000	320	340
FBSS 09	302.20.006	FBSV 09	303.21.006	1750	2000	- 220	+ 175	5000	350	370
FBSS 10	302.20.007	FBSV 10	303.21.007	2000	1500	- 250	+ 205	5000	320	340
FBSS 11	302.20.008	FBSV 11	303.21.008	2000	1750	- 250	+ 205	5000	360	380
FBSS 12	302.20.009	FBSV 12	303.21.009	2000	2000	- 250	+ 205	5000	400	420

Counter balanced dock leveller, made of steel, hot galvanized, capacity 5000 kgs

Type	Order code stationary	Type	Order code movable	Length L (mm)	Width (mm)	Height Difference (mm)		Capacity (kgs/ea)	Weight stationary (kgs/ea)	Weight movable (kgs/ea)
						min.	max.			
FBSS 01	302.80.000	FBSV 01	303.81.000	1250	1500	- 160	+ 110	5000	230	250
FBSS 04	302.80.001	FBSV 04	303.81.001	1500	1500	- 190	+ 140	5000	270	290
FBSS 05	302.80.002	FBSV 05	303.81.002	1500	1750	- 190	+ 140	5000	300	320
FBSS 06	302.80.003	FBSV 06	303.81.003	1500	2000	- 190	+ 140	5000	330	350
FBSS 07	302.80.004	FBSV 07	303.81.004	1750	1500	- 220	+ 175	5000	290	310
FBSS 08	302.80.005	FBSV 08	303.81.005	1750	1750	- 220	+ 175	5000	320	340
FBSS 09	302.80.006	FBSV 09	303.81.006	1750	2000	- 220	+ 175	5000	350	370
FBSS 10	302.80.007	FBSV 10	303.81.007	2000	1500	- 250	+ 205	5000	320	340
FBSS 11	302.80.008	FBSV 11	303.81.008	2000	1750	- 250	+ 205	5000	360	380
FBSS 12	302.80.009	FBSV 12	303.81.009	2000	2000	- 250	+ 205	5000	400	420

Counter balanced dock leveller, made of steel, coloured RAL 5010, capacity 6000 kgs

Type	Order code stationary	Type	Order code movable	Length L (mm)	Width (mm)	Height Difference (mm)		Capacity (kgs/ea)	Weight stationary (kgs/ea)	Weight movable (kgs/ea)
						min.	max.			
FBSS 01	302.50.000	FBSV 01	303.51.000	1250	1500	- 160	+ 110	6000	245	265
FBSS 04	302.50.001	FBSV 04	303.51.001	1500	1500	- 190	+ 140	6000	285	305
FBSS 05	302.50.002	FBSV 05	303.51.002	1500	1750	- 190	+ 140	6000	315	335
FBSS 06	302.50.003	FBSV 06	303.51.003	1500	2000	- 190	+ 140	6000	345	365
FBSS 07	302.50.004	FBSV 07	303.51.004	1750	1500	- 220	+ 175	6000	305	325
FBSS 08	302.50.005	FBSV 08	303.51.005	1750	1750	- 220	+ 175	6000	335	355
FBSS 09	302.50.006	FBSV 09	303.51.006	1750	2000	- 220	+ 175	6000	365	385
FBSS 10	302.50.007	FBSV 10	303.51.007	2000	1500	- 250	+ 205	6000	335	355
FBSS 11	302.50.008	FBSV 11	303.51.008	2000	1750	- 250	+ 205	6000	375	395
FBSS 12	302.50.009	FBSV 12	303.51.009	2000	2000	- 250	+ 205	6000	415	435

Counter balanced dock leveller, made of steel, hot galvanized, capacity 6000 kgs

Type	Order code stationary	Type	Order code movable	Length L (mm)	Width (mm)	Height Difference (mm)		Capacity (kgs/ea)	Weight stationary (kgs/ea)	Weight movable (kgs/ea)
						min.	max.			
FBSS 01	302.82.000	FBSV 01	303.83.000	1250	1500	- 160	+ 110	6000	245	265
FBSS 04	302.82.001	FBSV 04	303.83.001	1500	1500	- 190	+ 140	6000	285	305
FBSS 05	302.82.002	FBSV 05	303.83.002	1500	1750	- 190	+ 140	6000	315	335
FBSS 06	302.82.003	FBSV 06	303.83.003	1500	2000	- 190	+ 140	6000	345	365
FBSS 07	302.82.004	FBSV 07	303.83.004	1750	1500	- 220	+ 175	6000	305	325
FBSS 08	302.82.005	FBSV 08	303.83.005	1750	1750	- 220	+ 175	6000	335	355
FBSS 09	302.82.006	FBSV 09	303.83.006	1750	2000	- 220	+ 175	6000	365	385
FBSS 10	302.82.007	FBSV 10	303.83.007	2000	1500	- 250	+ 205	6000	335	355
FBSS 11	302.82.008	FBSV 11	303.83.008	2000	1750	- 250	+ 205	6000	375	395
FBSS 12	302.82.009	FBSV 12	303.83.009	2000	2000	- 250	+ 205	6000	415	435

										kg/m	
	319.22.000									Guide rail black, length 2000/ 3000 mm	25
	319.23.001									Guide rail galvanized, length 2000/ 3000 mm	25
	319.23.010									Fixing plate galvanized (see page 32)	8