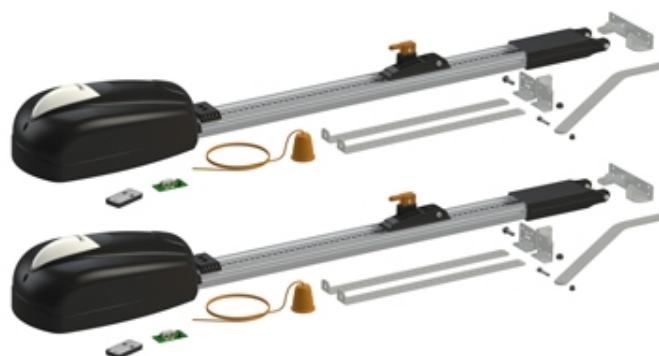


KIT PRODUCT TECHNICAL DATASHEET

SET M40/635D



Composition SET M40/635D

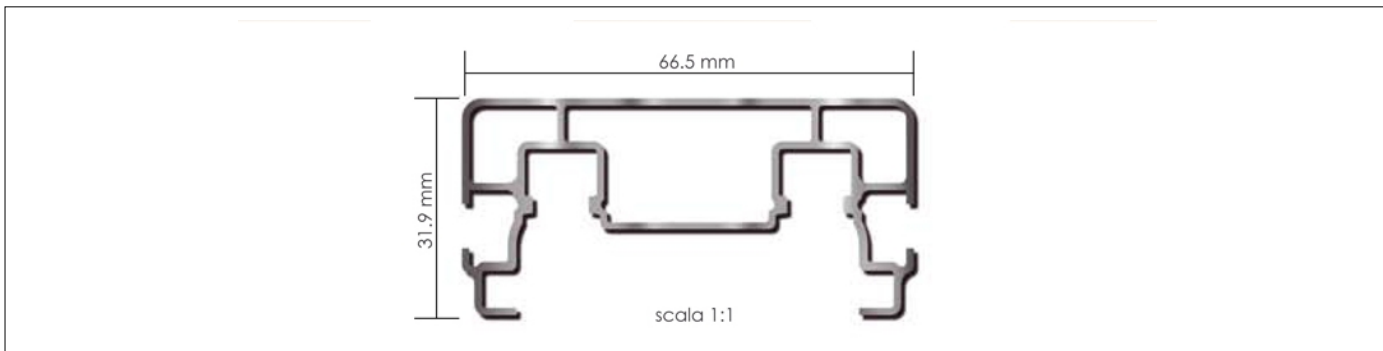
| CODE | DESCRIPTION | QTY |
|--------------------------------|---|-----|
| KIT M40/G3565M | 2 guides lenght 3,5 meters series M40 complete with motor up to 650N | 1 |
| KIT M40/655 | KIT M40 Control unit 230V AC with support and accessories without motor for series guides M40. With radio control and radio receivers. | 2 |
| Composition KIT M40/655 | | |
| M40/654 | Control unit 230V AC with support and accessories without motor for serie guides M40. | 1 |
| H93/RX22A/I | Plug-in receiver 2 channels 433,92 Mhz (500 Storable codes) for control unit series H70, B70, EDGE and CTRL. | 1 |
| E80/TX52R/2 | Fix code transmitter 433,92 Mhz. 2 channels, with radio for copy. | 1 |

PRODUCT TECHNICAL SPECIFICATIONS

| | |
|-----------------------|---|
| Power line supply | 230V AC - 50Hz |
| Motor power supply | 24V DC |
| Power rating | 200W |
| Frequency of use | 50% |
| Thrust | 650N |
| Operating temperature | -20+55°C |
| Protection level | IP40 |
| Reductor Type | Irreversible |
| Manoeuvre speed | 15 cm/s |
| Limit switch | Mechanical stopper in opening (optional in closing) |
| Onboard control unit | H70/10CC |
| Encoder | Magnetic |

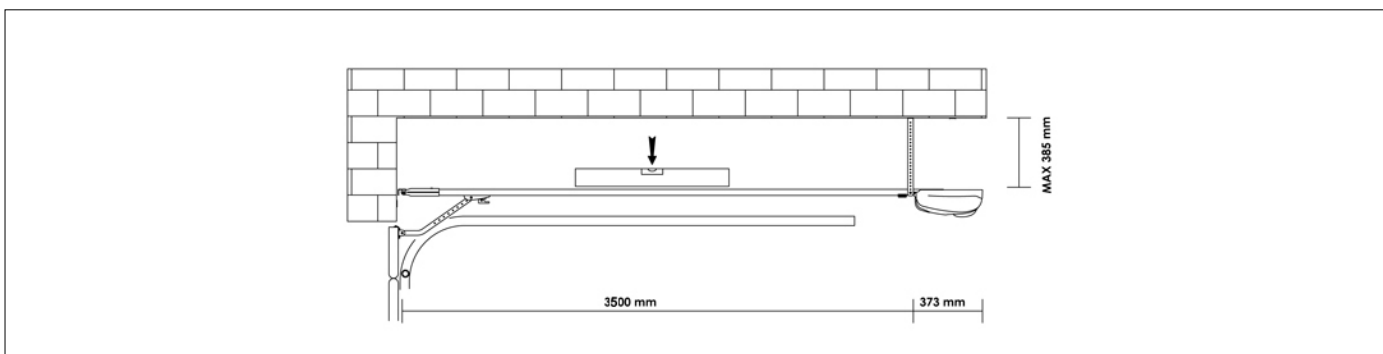
| | |
|----------------------------|------------|
| Maximun opening | up to 2,7m |
| Guide length | 3,5m |
| Product weight packed (Kg) | 29,9 |

PRODUCT DIMENSIONS AND PREPARING FOR INSTALLATION



GUIDE SECTION

PRODUCT PREPARING FOR INSTALLATION



PREDISPOSITION FOR STANDARD INSTALLATION

PRODUCT ACCESSORIES



LT324

Oscillating arm sliding on bearings for overhead and overflowing doors.



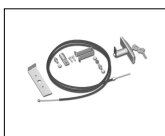
MC776

Kit mechanical stop for M40 and H40.



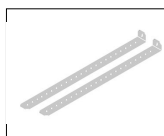
RL654

Kit for release from outside without handle.



RL655

Kit for release from outside with handle.



LT314

Pair of optional fixing brackets.